

LG STUDIO

LSES6338F

6.3 cu. ft. Smart wi-fi Electric Slide-in Range with ProBake Convection® and EasyClean®

Large Capacity Oven (6.3 cu. ft.)

Soft Close Range Door

Air Fry Setting

InstaView® Window (WideView)

Air Sous Vide

EasyClean®

ProBake Convection™

Storage Drawer



| CAPACITY | |
|------------------------------------|--|
| Oven Capacity (cu. ft.) | 6.3 |
| Storage Drawer Capacity (cu. ft.) | 0.8 |
| COOKTOP | |
| Type | Radiant |
| No of Radiant Elements | 5 |
| Element Size/Wattage - Left Rear | 1800 (8") Bridge heater (0.8KW) |
| Element Size/Wattage - Right Rear | 1200 (6") |
| Element Size/Wattage - Left Front | 1800 (8") Bridge heater (0.8KW) |
| Element Size/Wattage - Right Front | 3600 (12") / 2400 (9") / 1200(6") (UltraHeat+™) |
| Center (Warming Zone) | 100W (6") |
| Hot Surface LED Indicator | Yes |
| OVEN FEATURES | |
| Broil Element (Watt) | Sheath 4200 / 6 Pass |
| Convection (Watt) | Sheath 2500W |
| Convection Fan | Dual Speed (High/Low) |
| Convection Type | ProBake Convection™ |
| Oven Modes | Bake, Conv. Bake, Conv. Roast, Broil High, Broil Low, Warm, Proof, Frozen meal, Air fry, Air sous-vide, EasyClean, SelfClean |
| Oven Control Features | Glass Touch |
| Convection Conversion | Yes |
| EasyClean® | Yes (10 mins) |
| Self Clean | Yes |
| GoCook Smart Oven Light | Yes (1 Light) |
| No. of Rack Positions | 7 |
| Door Lock | Yes |
| Automatic Safety Shut-Down | After 12 hours |
| DRAWER FEATURES | |
| Type | Storage (no Handle) |
| CONTROL | |
| Cooktop Control Type | Front Control Knobs |
| Oven Control Type | Glass Touch |
| Back lighting | Yes |
| Knob lighting | Yes |
| Display | LED / White |
| Language | English |
| Clock | 12 hr or 24 hr (option) |
| Kitchen Timer | Yes |
| Timed Cook | Yes |
| Temperature Unit of Measure | Fahrenheit / Celsius |
| Cooking Complete Reminder Volume | Beeper (Hi, Lo, Off) |
| Certified Sabbath mode | Yes |

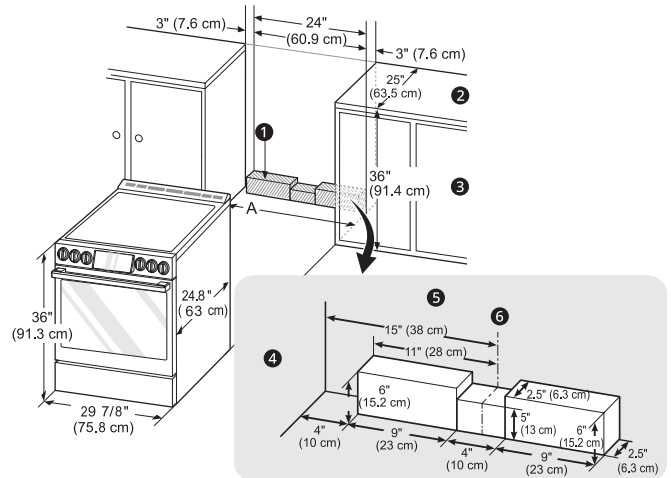
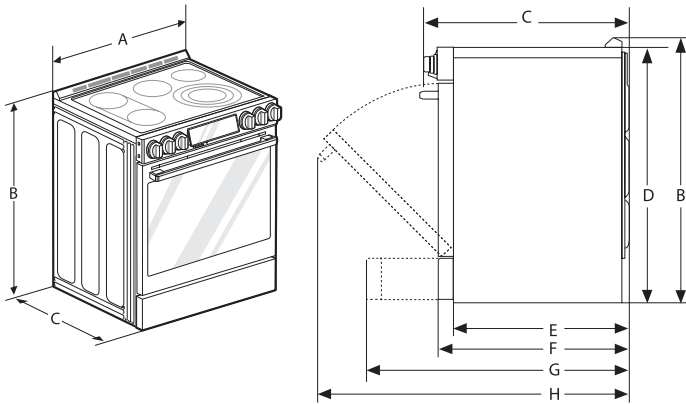
| APPEARANCE | |
|---|------------------------------|
| All Available Colours | Stainless Steel |
| Knobs | Stainless Steel |
| Handle | Stainless Steel |
| Smudge Resistant | Yes |
| Oven Door Feature | InstaView + WideView™ |
| Cooktop Finish | Black Ceramic + Grey Pattern |
| SMART FEATURES | |
| ThinQ® (Wifi Enabled) | Yes |
| Check & Control | Yes |
| Voice Control | Yes |
| Smart Recipe (3rd Party Recipe App) | Innit, Sidechef |
| SmartDiagnosis™ | Yes |
| DIMENSIONS / CLEARANCES / WEIGHT | |
| Shipping Weight (lbs) | 213.3lb (96.75kg) |
| Product Weight (lbs) | 175.6lb (79.65kg) |
| Cabinet Width (in) | 30" |
| Overall Depth (in) - without handle | 26 7/8" |
| Overall Depth (in) - including handle | 29 3/8" |
| Overall Height (in) | 37 2/8" |
| Overall Width (in) | 29 7/8" |
| Oven Interior Dimensions (in) (W x H x D) | 24.9" x 21.4" x 20" |
| Height to Cooking Surface (in) | 36" |
| Drawer Dimensions (in) (W x H x D) | 22.2" x 4.5" x 16.4" |
| Carton Dimensions (in) (W x H x D) | 32.5" x 44" x 30.5" |
| POWER/RATINGS | |
| Amp Rating at 208V | 49.1A |
| Amp Rating at 240V | 56.7A |
| KW Rating at 208V | 10.2kW |
| KW Rating at 240V | 13.6kW |
| Required Power Supply (amp) | 40A |
| ACCESSORIES | |
| Gliding Rack | 1 |
| Heavy Duty Rack | 2 |
| Air Fry Rack | 1 |
| Temp Probe | Yes |
| Spray Bottle | Yes |
| Cooktop Cream/ Cleaner | Yes |
| LIMITED WARRANTY | |
| Parts & Labour | 2 Years |
| UPC CODES | |
| LSES6338F (Stainless Steel) | 195174035528 |

LSES6338F

6.3 cu. ft. Smart wi-fi Electric Slide-in Range with ProBake Convection® and EasyClean®

QUICK INSTALL & CLEARANCES

For full installation directions/clearances please refer to the corresponding User Manual and Installation Guide.



DIMENSIONS/CLEARANCES

| | |
|--|----------|
| A Width | 29 7/8" |
| B Height | 37 1/4" |
| C Depth (Includes Door Handle) | 29 3/8" |
| D Height (Excludes Vent Trim) | 36" |
| E Depth (Includes only the product body that is loaded into the cabinet. Excludes door, drawer, and handles) | 24 3/4" |
| F Depth (Excludes Door Handle) | 26 7/8" |
| G Depth when drawer is fully opened | 36 1/16" |
| H Depth when door is fully opened | 48 5/8" |

POWER / RATINGS

| | |
|-----------------------------|--------|
| Amp Rating at 208V | 49.1A |
| Amp Rating at 240V | 56.7A |
| KW Rating at 208V | 10.2kW |
| KW Rating at 240V | 13.6kW |
| Required Power Supply (amp) | 40A |

ELECTRICAL REQUIREMENTS

- This appliance must be installed and grounded on a branch circuit by a qualified technician in accordance with the National Electrical code ANSI/NFPA NO. 70 - latest edition.
- All wiring should conform to Local and NEC codes. This range requires a single-phase, 3 wire, A.C 120/208 V or 120/240 V 60 Hz electrical system. Use only a 3-conductor or a 4-conductor UL - listed range cord with closed-loop terminals, open-end spade lugs with upturned ends or similar termination. Do not install the power cord without a strain relief.
- A range cord rated at 40 amps with 120/240 minimum volt range is required. If a 50 amp range cord is used, it should be marked for use with 13/ 8" diameter connection openings. This appliance may be connected by means of a conduit or power cord. If a conduit is being used, refer to "3-Wire Connection: Conduit" or "4-Wire Connection: Conduit" sections.

CLEARANCES

- Acceptable electrical outlet area
 - Normal counter top depth
 - Counter top height
 - Cabinet
 - Wall
 - Center
- A Cabinet opening = 30"

MINIMUM DIMENSIONS

