

LG REFRIGERATION

LRFNS2200

21.8 cu.ft. 3-Door French Door Refrigerator

21.8 cu.ft.

Inverter Linear Compressor with 10-Year Warranty

4 Split Shelves in Refrigerator

6 Total Door bins

Smart Cooling® System

Multi-Air Flow™ Technology




SmartDiagnosis™

2-Tier Organization in Freezer

ENERGY STAR® Qualified

**Available in Smudge Resistant Stainless Steel,
Black Stainless Steel and White**

AVAILABLE COLOURS

-  Smudge Resistant Stainless Steel
-  Smudge Resistant Black Stainless Steel
-  White



CAPACITY	
Refrigerator (cu.ft.)	14.5
Freezer (cu.ft.)	7.3
Total (cu.ft.)	21.8
ENERGY	
Energy Consumption (kWh/Year)	503
ENERGY STAR® Qualified	Yes
COOLING	
Linear Compressor	Yes
Smart Cooling® System	Yes
Multi-Air Flow	Yes
Temperature Sensors	4
CONVENIENCE	
Display Type	Membrane / Green LED
Temperature Controls	Electronic/Digital
Door Alarm	Yes
Child Lock	Yes
ADA Compliant	Yes
LoDecibel™ Quiet Operation	Yes
REFRIGERATOR	
No. of Shelves	4 Split
Cantilevered Shelves	Hybrid Cantilevered
Shelf Construction	Spill Protector™ Tempered Glass
Crisper Bins	2 Humidity Crispers
Glide N' Serve® Drawer	Yes
Refrigerator Light	Ceiling LED
REFRIGERATOR DOOR	
No. of Bins	6 Total
Door Bin Construction	1 Piece (Clear)
FREEZER	
Door Type	Pull Drawer
Drawers	2-Tier Organization
DuraBase™ Solid Drawer Base	Yes
Drawer Divider	Yes
In-Door Ice	LK55C (optional)
Freezer Light	Ceiling LED

SMARTTHINQ®	
SmartDiagnosis™	Yes
MATERIALS & FINISHES	
Contour Door	Yes
Hidden Hinges	Yes
Surface	Smooth
Handles	Matching Commercial Handles
All Available Colours	Smudge Resistant STS, Smudge Resistant Black STS, White
DIMENSIONS / CLEARANCES / WEIGHT	
Depth with Handles	35 1/2"
Depth without Handles	33"
Depth without Door	29"
Depth (Total with Door Open)	44 3/4"
Height to Top of Case	67 1/4"
Height to Top of Door Hinge	68 1/2"
Width	29 3/4"
Width (Door Open 90° with Handle)	38 1/4"
Width (Door Open 90° without Handle)	33 1/4"
Door Edge Clearance with Handle	4 1/2"
Door Edge Clearance without Handle	2"
Installation Clearance	Sides 1/8", Top 1", Back 1"
Weight (Unit/Carton)	237 lbs. / 259 lbs.
Carton Dimensions (WxHxD)	31 1/2" x 69 3/8" x 37 3/4"
LIMITED WARRANTY	
Parts & Labor	1 Year
Sealed System	7 Years
Linear Compressor	10 Years
UPC CODES	
LRFNS2200D (Smudge Resistant Black STS)	772454073236
LRFNS2200S (Smudge Resistant STS)	772454073229
LRFNS2200W (White)	772454073243

LG REFRIGERATION

LRFNS2200

21.8 cu.ft. 3-Door French Door Refrigerator

QUICK INSTALL & CLEARANCES

For full installation directions/clearances please refer to the corresponding User Manual and Installation Guide.

DIMENSIONS / CLEARANCES / WEIGHT

A Depth without Handles	33"
B Width	29 3/4"
C Height to Top of Case	67 1/4"
D Height to Top of Door Hinge	68 1/2"
E Back Clearance	2"
F Depth without Door	29"
G Depth (Total with Door Open)	44 3/4"
M Depth with Handles	35 1/2"
Installation Clearance	Top 1", Back 1"
Carton Dimensions (WxHxD)	31 1/2" x 69 3/8" x 37 3/4"
ENERGY	
Energy Consumption (kWh/Year)	503
Tier III ENERGY STAR® Qualified	Yes
CEE Tier	3

CHOOSING THE PROPER LOCATION

WATER

Select a place where a water supply can be easily connected for the automatic

NOTE

- The water pressure must be 20 – 120 psi or 138 – 827 kPa or 1.4 – 8.4 kgf/cm². If the refrigerator is installed in an area with low water pressure (below 20 psi), you can install a booster pump to compensate for the low pressure.

ELECTRICITY

The refrigerator should always be plugged into its own individual properly grounded electrical outlet rated for 115 Volts, 60 Hz, AC only, and fused at 15 or 20 amperes. This provides the best performance and also prevents overloading house wiring circuits which could cause a fire hazard from overheated wires. It is recommended that a separate circuit serving only this appliance be provided.

WARNING

- To reduce the risk of electric shock, do not install the refrigerator in a wet or damp area.

FLOORING

To avoid noise and vibration, the unit must be leveled and installed on a solidly constructed floor. If required, adjust the leveling legs to compensate for the unevenness of the floor. The front should be slightly higher than the rear to aid in door closing. Leveling legs can be turned easily by tipping the cabinet slightly. Turn the leveling legs to the left to raise the unit or to the right to lower it.

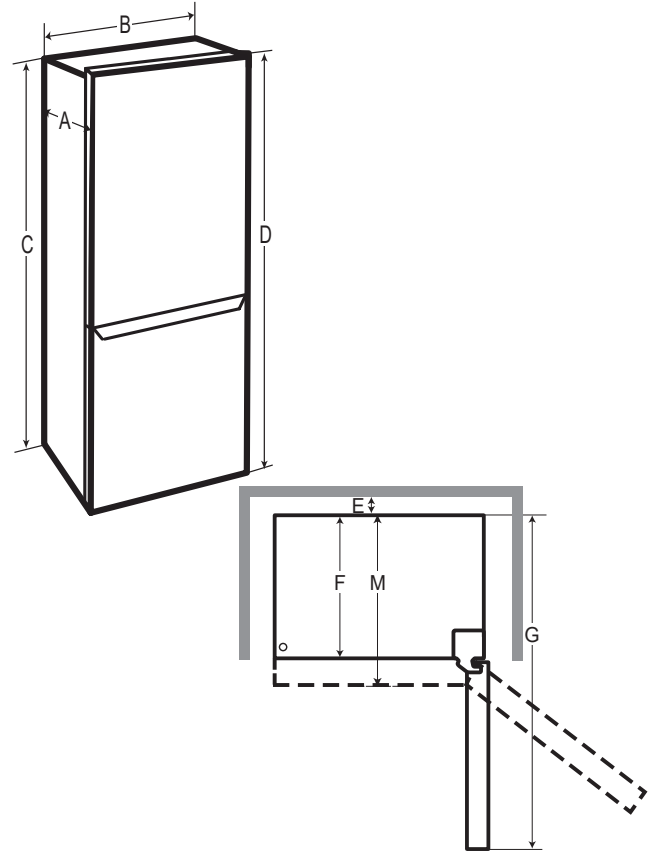
NOTE

- Installing on carpeting, soft tile surfaces, a platform or weakly supported structure is not recommended.

AMBIENT TEMPERATURE

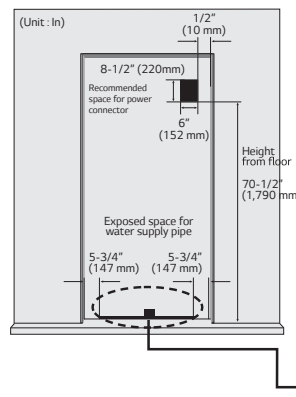
Install this appliance in an area where the temperature is between 55°F (13°C) and 110°F (43°C). If the temperature around the appliance is too low or high, cooling ability may be adversely affected.

PRODUCT DIMENSIONS



CONNECTING POWER AND SECURING SPACE FOR WATER SUPPLY PIPE

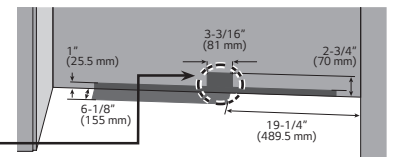
- Make sure the location of the water supply pipe is within the marked range.
- Before connecting the power, always make sure to ground the product. (If the product is not grounded, the user may be able to feel the electricity due to the minute leakage current when touching the refrigerator door handle or side corner even when there is no issue with the product.)
- Do not ground the product to gas pipe, plastic water pipe or telephone wire etc. It can cause electric shock and explosion.



POWER CONNECTION

The location of the 115V 60Hz power connector must be located on the rear side of the product as shown in the picture.

When installing the product, make sure to check whether the cord is hung on the hook on the rear side so that it is not pressed on the refrigerator. Damaged power cord can cause a fire.



INSTALLATION SPACE FOR WATER SUPPLY PIPE

Place the water hose for ice maker and water dispenser as shown in the picture, and prepare hose to come up from the floor. (Copper pipe with diameter of 5/16" (8mm) is recommended for the water hose.) If the water pipe and water hose is located far from the product, bury the water hose on the floor and provide appropriate treatment.

